

digidoor III ac/dc Garage Door Operator

Introduction	p3
Important Safety Instructions	p3
Contents of the Box	p4
Features and Specifications	p5
General Issues	p6
Types of doors to be automated	
Condition of doors	
Manufacturer's guarantee	p7
Assembly and Installation of the digidoor III ac/dc	p8
Power head and Strut assembly	
Automation of sectional overhead doors	p8
Automation of tip-up (trackless one-piece) doors	p10
Automation of roll-up doors	p11
Electrical Connections and Set-up	p13
Visual and audible indications	p13
Wireless Wall Console	p14
Auto-close function	p14
Lock function	p15
Factory reset	p15
Using the digidoor III ac/dc on-board receiver	p15
Digi e key	
Recording a new transmitter via the wireless wall console	
Erasing Transmitters	
External connections	p16
Accessories	
Battery backup	p18
Emergency key release	p19
Safety beams	p19
Important notes to installers and end users	p20
Service record	p20

Introduction

digidoor III ac/dc Garage Door Operator

Congratulations on selecting the digidoor III ac/dc Operator! This internal residential garage door automation system is designed for low maintenance, long-term reliable service, convenience and security.

Before you proceed, please read these instructions and the instructions on the emergency release cord carefully! Incorrect installation can lead to serious injury or damage!

Important Safety Instructions!

Operate the door only while in view, free of obstructions and properly adjusted.

Keep adults, children and pets clear of the moving door.

Keep transmitter controls away from children.

Use caution when operating the manual release with the door open as it may fall, if the spring tension is not correct.

Frequently examine the door and operator for wear, damage and improper balance.

Ensure that a Hydro Doors accredited installer services the door regularly

Obstacle sensing is done electronically and must be properly adjusted. This aspect must be tested at least once a year.

Contents of the Box

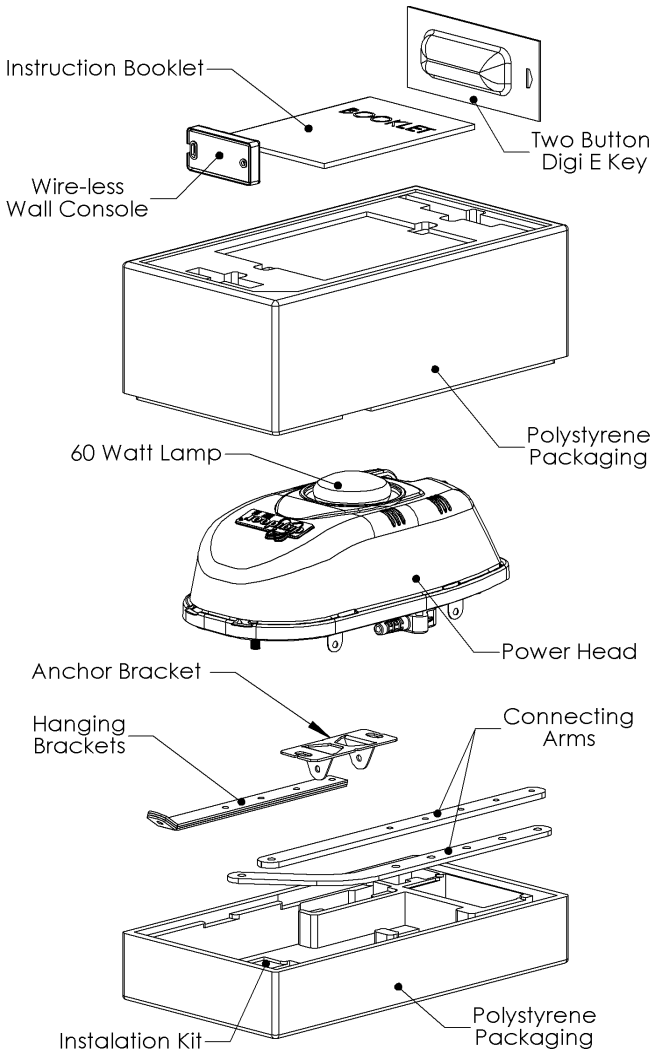


Fig.1

Features

24 Vdc Motor with integrated gearbox: A purpose-made 24vdc motor developed for the door industry, which has a greater power to weight ratio and greater efficiency than 12v motors, powers the digidoor III ac/dc.

Mains/Battery: 230Vac with 24V battery backup.

Controller: The controller is microprocessor based with a plug in printed circuit control board.

Feature Selection: Features are link-selected.

Integrated Receiver: A high performance receiver is integrated directly on the control board, supporting 28 users.

Obstacle Sensing: For added safety obstacle sensing is implemented in software and by means of adjustable current sensing.

Wireless Wall Console: The console eliminates the time-consuming wiring. It has buttons for Control, Light and Lock. Adding extra remotes via the console is easy.

Status Indicator: The digidoor III ac/dc has a prominent status indicator that shows whether in mains or battery mode, and if the lock function is on. Also indicates Set-up Mode.

Audio Alert: To assist with Set-up and provide audible warnings.

Courtesy Lamp: Both versions of the 60-watt lamp may be used.

Adjustable Open-Position Stop: The strut incorporates an adjustable stop that limits the travel of the door in the open position. This is set during installation to provide a reference, and serves as a safety stop when the door is used manually.

Fast Operation: This operator achieves a fast operating speed, with ramp-up and ramp-down for smooth operation. Opening or closing of a standard sectional door can be achieved in approximately 16 seconds.

Supports Most Types of Safety Beams: A 24volt connection is provided, which 'times-out' in order to conserve battery power.

Auto-Close Mode: Auto close may be selected, and occurs 30 seconds after opening. Before auto-closing, the light flashes and an audible warning sounds for 10 seconds prior to closing.

Limits: The limits of the door travel are set automatically during the installation phase.

Specifications

Supply Voltage: 220 Vac \pm 10%

Maximum Current: 2Amp

Operating Speed: 130mm/sec (Typical)

Receiver Frequency: 433.92MHz

Receiver Range: Greater than 25m

General Issues

Types of Doors that can be automated using the digidoor III ac/dc:

- Sectional overhead doors, single/double, steel or timber. Uses 3m Strut.
- Special Height Sectional overhead doors. Uses 3.6m Strut.
- Tip – up doors, steel or timber. Uses 2,3m Strut.
- Roll-up doors single or double. Uses 2.36m Strut.

Condition of Doors:

For successful automation, a door should be in good working condition, i.e. it should be possible to open and close easily with one hand, be correctly sprung and run smoothly without sticking or binding. Torsion springs should be greased. Tracks should be well secured with correct clearances and be clean and free of grime. Badly worn hinges, rollers and bushings should be repaired or replaced. Remove all unnecessary ropes, brackets, levers, etc.

Caution! Garage doors, door springs, cables, pulleys, brackets and hardware are under extreme force and can cause serious personal injury.

Note! Most complaints of unsatisfactory garage door operation can be traced to problems with the door itself. The digidoor III ac/dc is not intended to correct any problems that are caused by an unbalanced or binding door. When operated manually, a properly balanced door will stay at any point of its travel, while being supported entirely by its springs.

WARRANTY

Hydro Doors and Gates (Pty) Ltd (Hydro) warrants to the first retail purchaser of a Digidoor Operator that the product shall be free of any defects in materials and/or workmanship for a period of twelve months (One Year) from the verifiable date of purchase. Such verification will include a valid proof of purchase by the first retail purchaser, which shall include if possible the serial number of the motor under warranty. Upon receipt of the product, the first retail purchaser is under obligation to check the product for any visible defect.

This warranty is available on any Digidoor Operator sold and installed in the Republic of South Africa.

For any Digidoor Operator that is sold and installed outside the borders of the Republic of South Africa, the obligations for repairing this product under warranty will be borne by the distributor of the product in the territory concerned. The terms and conditions of warranties in each territory outside the Republic of South Africa will be available from the distributor in that territory.

CONDITIONS.

The warranty shall constitute the sole remedy available under law to the first retail purchaser for any damages related to or resulting from a defective part and/or product. The warranty is strictly limited to the repair or replacement of the parts of this product which are found to be defective.

The warranty does not cover:

non-defect damage caused by unreasonable use (including use not in complete accordance with Digidoor installation and owners instructions)

labour charges for removal or re-installation of a repaired or replaced unit,

transport costs incurred in getting the product to Hydro. Hydro will quote for in-situ warranty repairs if requested.

damage to the product caused by lightning, power surges, or incorrect installation.

any Hydro garage door operator used to automate more than one door at one time.

any Hydro garage door operator used outdoors, including carports.

any Hydro domestic garage door operator used in excessive traffic applications for example an apartment-block, parking garage etc.

any unauthorised non Hydro modifications to the product or components thereof. consequential or incidental damage to property or person.

batteries installed in the operator, remote controls or wall console.

Hydro will repair, or at its option replace, any device, which is determined to be defective in materials and/or workmanship at no cost to the owner for the repair and/or replacement part.

Defective parts will be repaired or replaced with new or factory rebuilt parts at Hydro's option.

Hydro shall not be liable for consequential or incidental damage to property or person.

Warranty repairs shall be effected provided the product is returned to Hydro at owner's expense.

No representative or person is authorized to assume for Hydro any other liability in connection with the sale of this product.

Assembly

Fitting the digidoor III ac/dc Power Head to the Strut

Note: For Roll-up Doors refer to page 11

1. Ensure that the bullet fitting in the chain drive is opposite the tested sticker on the Strut. (Approximately xxmm from the closed end)
2. While aligning the motor shaft with the sprocket, fit the strut to the power head. Fit the two mounting saddles and secure them with the M6 bolts provided. See Fig. 2
3. Install the digidoor III ac/dc as shown on Page 10 for a single-piece Tip-up door, or for a Sectional door as follows:

Automating a Sectional Overhead Door

(Timber, Steel or Fibre Glass, Single and Double)

With the door closed, extend and mark the vertical **centre line** of the door on the wall above the door. Mark the cross line **50mm above** the **highest point** of the top edge of the door in its travel. Place the anchor bracket on the wall and align. Mark the position of the mounting holes, and secure the anchor bracket to the wall.

Important! This bracket handles all the operating forces.

Secure the foot-end of the Drive Strut assembly to the anchor bracket while supporting the motor.

Open the door and **vertically align** the Drive Strut assembly to the door centre line. Prop the unit up to a horizontal position. Determine the length of the hanging brackets needed to make a triangular fixing. Fit the hanging brackets to align with a joist, batten or concrete member, as close to the power head as possible.

Note! The Hanging Brackets may be angled forwards or backwards, and secured to either the front or rear mounting lugs.

With the door closed, pull the carriage release cord. Mount the door bracket to the inside face of the door, in the centre and **level** with the **top roller of the door**. Fit the curved door arm to the bracket and the straight arm to the carriage. Overlap the arms so that the short section of the **curved arm** is horizontal, and securely bolt them in two places.

With the door in the open position, move the Open Stop up against the Carriage and secure it in place by means of the Self-Drilling screw provided.

Refer to Electrical Connections and Set-up, Page 13.

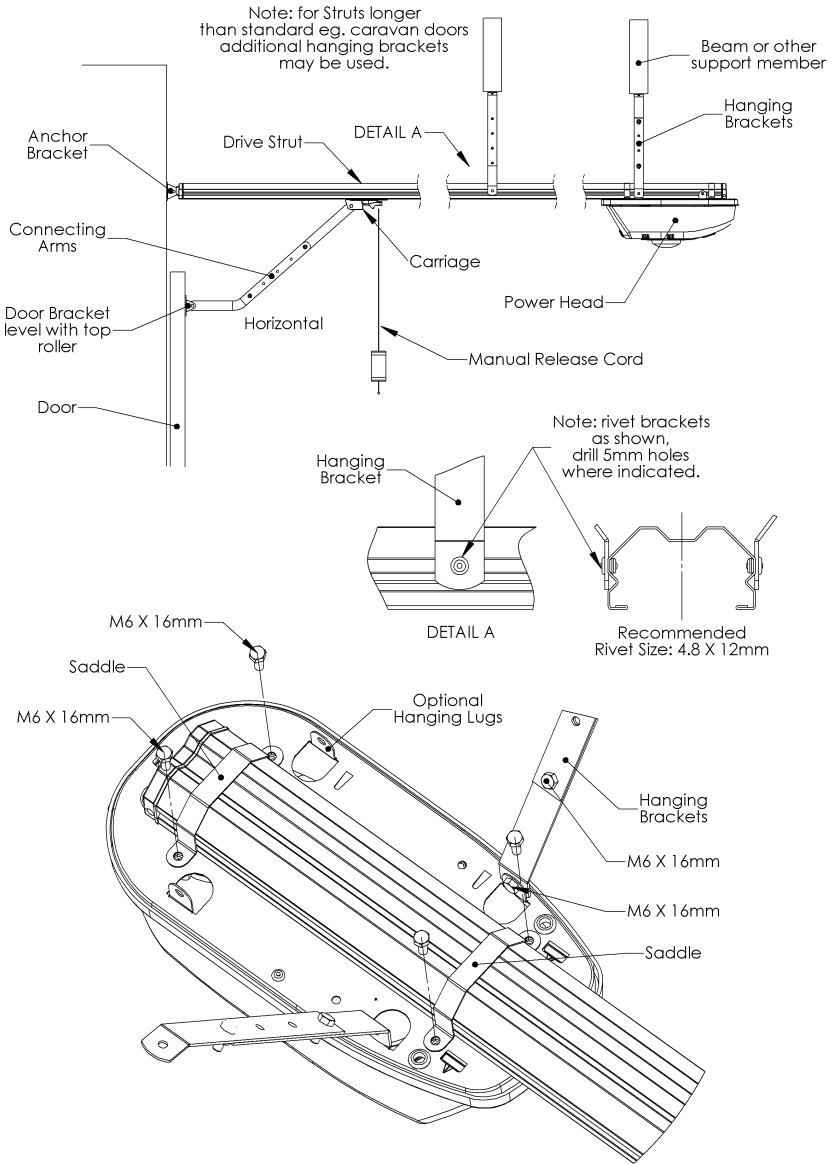


Fig. 2

Automating a Trackless One-Piece Door

(Tip-up Doors, Single and Double)

Extend and mark the vertical centre line of the door on the wall above the door. Make a mark on the centre line between **300mm and 400mm** above the door. Place the Anchor Bracket on the wall and align the bracket. Mark the position of the mounting holes, and secure the anchor bracket to the wall. **Important!** The anchor bracket handles all the operating forces.

Secure the foot-end of the Drive Strut assembly to the anchor bracket while supporting the motor end.

Open the door and **vertically align** the Drive Strut assembly to the door centre line. While supporting the motor, ensure that the door's highest point of travel clears the Drive Strut assembly. Determine the length of the hanging bracket needed to make a triangular fixing. Fit the hanging brackets to align with a joist, batten or concrete member, as close to the power head as is conveniently possible. **Note!** The Hanging Brackets may be angled forwards or backwards, and secured to either the front or rear mounting lugs.

With the door closed, pull the carriage release cord. Mount the door bracket securely to the top edge of the door on the centre line. Connect the curved door arm to the carriage and the straight door arm to the door bracket. **Caution!** With the door in the closed position, slide the carriage towards the door and overlap the connecting door arms such that the arms form roughly a 45° angle to the door, and securely bolt them in two places.

With the door in the open position, move the Open Stop up against the Carriage and secure it in place by means of the Self-Drilling screw provided.

Refer to Electrical Connections and Set-up, Page 13.

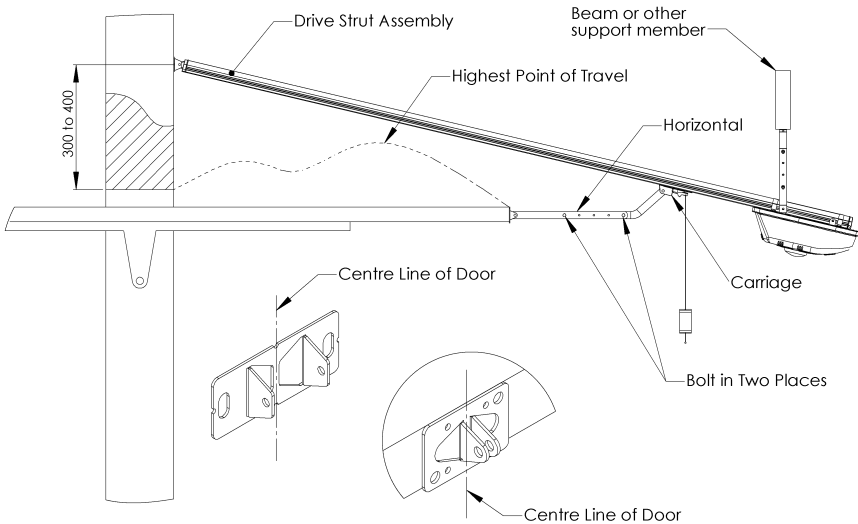


Fig. 3

Automating Roll-up Doors

(Not roller-shutter)

Note! *This requires a special Roll-up Kit, which is intended for automating single doors as well as two side-by-side doors, separated by a column of not more than 600mm. The kit suits most popular makes of roll-up doors.*

Before You Start!

Check that the shaft of the roll-up door is level. Ensure that the sidetracks are clean (free of grease and dirt) and undamaged (no bends or dents). Loosen the sidetracks and move them to create ample side-clearance between the edge of the door and the inside of the track, and re-tighten the fixing bolts. With the door fully closed, check that the large **springs** on the shaft over-head are **well greased**. This is **important!** Check the balance of the door. Ideally, when the door is moved by hand and left at any point, it should not rise or fall. Adjust the springs if necessary.

Caution! Spring adjustment can be dangerous! If unsure how to proceed, consult the door supplier or an accredited door installer.

Assembly of the digidoor III ac/dc Power Head to the Strut

1. Ensure that the bullet fitting in the chain drive is opposite the 'Tested' sticker on the Strut.
2. With the open side of the Drive Strut assembly upwards (chain visible), align the motor shaft with the sprocket and fit the strut so that the motor shaft passes through the hole in the strut. Secure the strut to the power-head with M6 bolts in the upper and lower positions. See fig. 4 on Page 12.

Important! Reverse the Motor Direction.

Remove the Light and the outer cover from the Power Head and locate the two Spade connectors in the motor wires. Swap the motor wires from red/red, green/grey to red/grey, green/red.

Assembly of the Roll-up Kit

The Roll-up kit consists of a wall-mount bracket, a "T"-piece, a crossbar, four door-mount brackets and a pack of 'Pop' rivets. Fit the anchor bracket to the foot-end of the Drive Strut assembly. Secure the wall-mount bracket to the Power-head. Fit the flat bar of the 'T' -piece to the carriage and secure it with the M8 Bolt and Nyloc nut provided. Slide the crossbar through the 'T' -piece and place a door-mount bracket on each end of the crossbar, or two door-mount brackets in the case of a single door, one near the edge of the door and the other at the end of the crossbar.

Mounting

Stand the unit next to the door and lean it against the wall. Position the doors at the same level as the crossbar. With the anchor bracket centered, move the unit towards the wall until the door-mounts touch the door. Mark the mounting holes in the anchor bracket, and set the machine aside. Drill and fit the masonry plugs in the floor. (**Tip:** Ensure the holes are clear before driving in the plugs, to avoid snapping

the bolts later.) Re-position the machine and secure the anchor bracket to the floor. Position the door-mount brackets, one near the edge of the door and one at the end of the crossbar, and rivet them to the bottom member of the door. Pull the manual release cord (which should be shortened to about 50mm) and open the door fully by hand. With the door open, mark, drill and secure the wall-bracket to the wall. Tighten the setscrews of the wall-mount bracket.

Important! Springs to be greased, regularly checked and adjusted. If necessary, contact an **Accredited Hydro Doors Installer**.

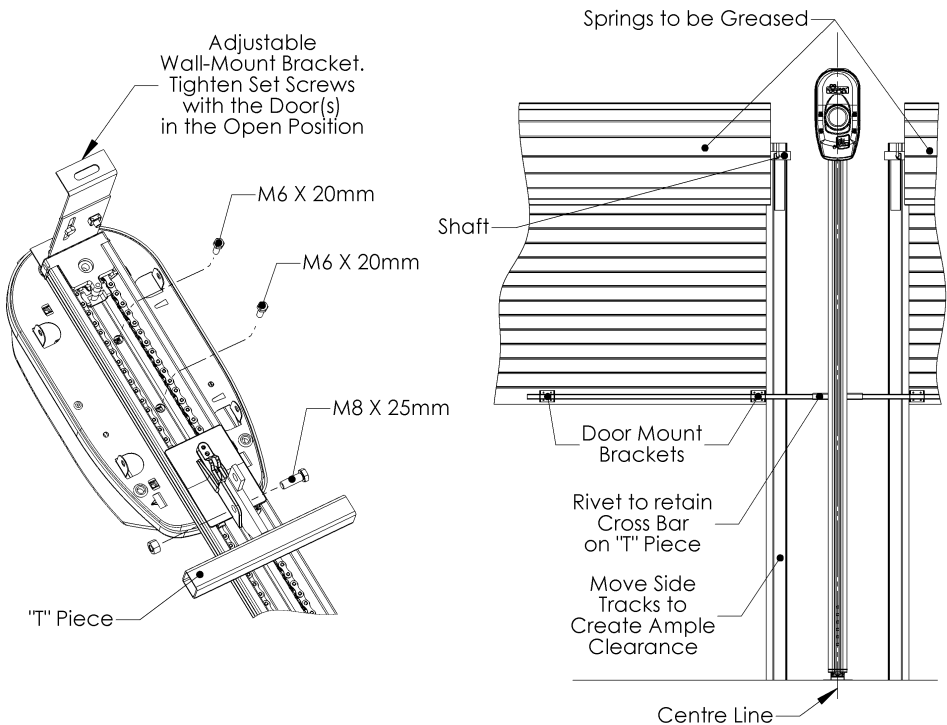


Fig. 4

Electrical Connections and Set-up

Note 1: If the Set-up needs to be repeated for any reason, refer to Factory Reset p15.

Note 2: If Mains supply is not available during installation, press the 'Power Up Button' to make use of battery power for Set-up. Refer to Fig. 6 on p16.

The digidoor III ac/dc is fitted with a power cord and a 15Amp moulded plug. Plug this into a suitably positioned power socket, and:

1. Close the door manually then ensure that the manual lever is in the engaged position (Latch Lever horizontal), and move the door by hand until it engages with the operator.
2. Switch the power on. The controller will beep and the indicator will flash amber. (The indicator flashes amber during set-up mode.)
3. The obstacle limit is set to maximum by the factory and can be left in this position for initial setup unless a very lightweight door is used, in which case a lower force may be used during installation.
4. Press the Enter button (For a lightweight door press Enter Twice). The door will close slowly until the floor is reached. (**Note:** This process can be stopped, if necessary, by pressing the Enter button again, and a further press will continue or restart it.) The door will then open slowly until the open position is reached. The controller will beep and the door will close and open at normal speed. The controller will beep twice to indicate that the limits have been established.
5. To learn the first wall console (master), press the Enter button. The controller will beep and the indicator will flash amber rapidly.
6. Press the Operate button on the Wall Console. The controller will beep.
7. To confirm, press the Operate button on the Wall Console again. The controller will beep four times to show that set-up is complete, and the indicator will show green (Ready).
8. Adjust the Obstacle Sensing by means of the trimmer shown in Fig.17, while physically checking the force of the door on the shoulder. Also check that the door is able to sense a block 40mm high placed on the floor in the centre of the door. **Note:** This test should be repeated once a year.
9. If batteries are fitted as standard, connect these to the control board by plugging in the two-way connector as shown in Fig. 6 on Page 18.
10. To complete the installation check that the door operates reliably and inform the client/user of the safety features and the manual override procedure.

Visual and audible indications:

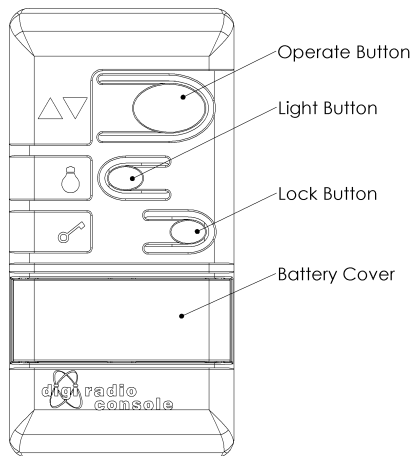
Visual Indication	Feature
LED indicator = Green	Mains power on
LED indicator = Green flashing	Main off – running on battery
LED indicator = Red	Door locked
LED indicator = Red flashing	Battery voltage low
Audible Indication	
Single beep and lamp flash when attempting to operate door	Door in locked mode
Double beep while attempting to close door	Beam obstructed or not functional

Wireless Wall Console

Mounting the Wireless Wall Console

Using the screws and screw-plugs provided, mount the Wall Console to the wall in a convenient position, out of the reach of children.

Note! Only the first wall console (master) will enable the user to record transmitters and complete the erase all function described on page 16.



Auto-close function:

To enable the Auto-close function remove the jumper marked "A-Close" on the control board. This function will close the door (from any position) after a period of 30 seconds. The lamp will flash and the buzzer will sound for a 10 second period prior to closing to warn the user. If beams are fitted and the beam is interrupted during this period the 30 second timer will re-start the timer. The timer will also reset if the user operates a control input (remote/wall console) during the warning flash period.

To override the auto-close function, stop the operator in any position and apply the lock function on the wall console.

The operator has a built in safety function that will disable the auto-close function after sensing three successive obstacles while attempting to close the door. Once the obstacle has been removed and the door fully closed the Auto-close function will re-enable automatically.

WARNING: It is strongly recommended that the Auto-close function only be activated if safety beams are fitted.

For jumper location see p15

Lock function:

The operator can be locked from the wireless wall console by pressing the lock button. When locked the LED indicator on the operator will turn to RED. If any user tries to open the door the light will flash once and the buzzer will beep once to indicate that the door is locked. To unlock press the lock button on the wall console. The lock function also overrides the auto-close function when selected.

Factory reset

If the installation setup has to be repeated for any reason, a factory reset can be performed to return the operator to its original factory default state. This procedure also erases the master wireless wall console learned during step 5, but not the ekey remotes that have been recorded.

1. Remove power (including battery power if fitted.) (The Batteries may be disconnected by unplugging the 2-way connector on the battery charger board.)
2. Hold the "Enter" button while re-applying the power. The operator will travel to the closed direction for a period and stop.
3. All limit settings and the master wall console are erased.
4. Remove all power again and re-start the setup procedure.

Using the digidoor III ac/dc on-Board Receiver

Digi e Key

The Digi e-key receiver is incorporated into the digidoor III ac/dc control board. Each *Digi e-key* transmitter has a unique identity, which, together with the hopping code, must be recorded by the on-board receiver before the system will function.

Recording a new transmitter via the Wall Console

1. With power on, if need be, turn the light off using the light toggle button.
2. Press and hold the light toggle button. The light will come on and after 5 seconds go off.
3. Release the button and the light will come on again.
4. Within 30 seconds, press the required button on the Digi-e key transmitter. The light on the digidoor III ac/dc will go off.
5. To confirm, press the same button on the transmitter again and the light on the digidoor III ac/dc will flash four times. The transmitter is ready for use. Repeat the above for additional transmitters. If the memory limit of 28 transmitters is reached the control board will beep for 4 seconds to indicate full and return to normal operation.

Note! The on-board receiver can store 28 separate e-key transmitters, using different buttons on each. An attempt to record the 29th transmitter will be ignored, followed by a four second beep.

If a transmitter is lost or stolen, it is important that the **“Erase all”** function is carried out to clear the receiver memory.

When recording, press the transmitter within 30s or the digidoor III ac/dc will revert to normal operation. If a transmitter battery is low, the LED on the transmitter will flash. The receiver will respond to a single button per handheld transmitter. When a different button is recorded, it will replace the previous button for that transmitter.

Erasing Transmitters

Warning! This function removes all of the e-key Transmitter codes that have been recorded but not the master wireless wall console recorded during installation.

1. With power on, if need be, turn the light off using the light toggle button.
2. Press and hold the light toggle button. The light will come on and after 5 seconds go off. Keep holding the light toggle button. After a further five second the light will flash 6 times to confirm that a complete erase has taken place. Only the master wireless wall console will remain functional after this process.

Note! To erase the master wireless wall console see Factory reset page 14

External connections

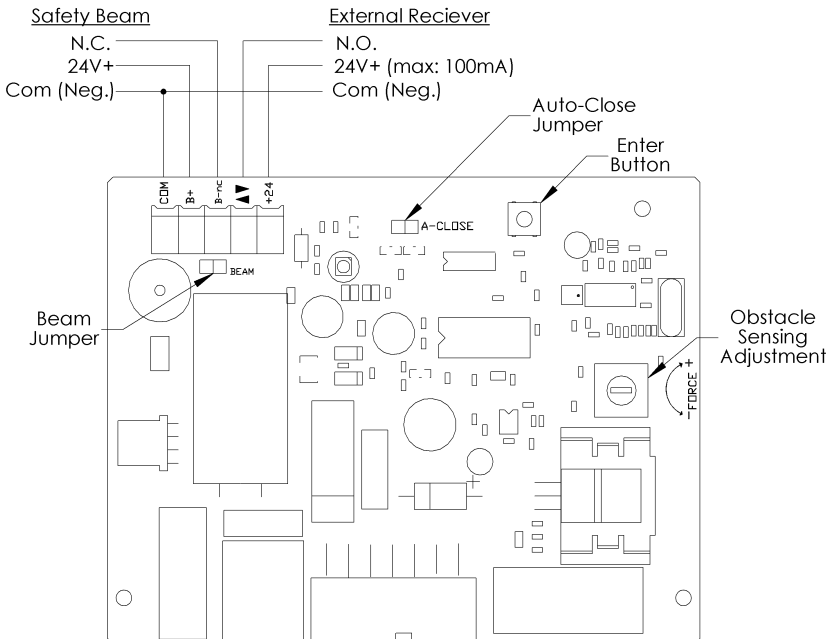


Fig.5 7

Accessories

Battery backup

The digidoor III ac/dc has an optional battery backup feature which will allow operation during power failures. The battery feature can be fitted as standard or fitted as an option at a later stage. The battery backup feature allows at least 10 opening and closing cycles of the door during a power failure.

The amount of operations will depend on the door running load as well as the battery reserve remaining in the batteries after an extended power failure. The battery reserve will allow operation of the door up to 24hrs after a power failure has occurred depending on the amount of usage during that time.

The battery charger and control board use advanced electronics to minimize the drain on the battery during power failures and has a low voltage battery cut-out feature which will disconnect the battery when the reserve power in the battery reaches a pre-determined level. This extends the battery life and reduces the battery re-charge time (<6 hours) once the mains power is returned.

Fitting of external equipment drawing power from the digidoor III ac/dc such as external receivers will significantly reduce the standby time and the amount of operations of the battery backup, however fitting of safety beams will not affect these since the beam supply is only active when the door is in use or not closed.

Note: If Mains supply is not available during installation, press the 'Power Up Button' to make use of battery power for Set-up.

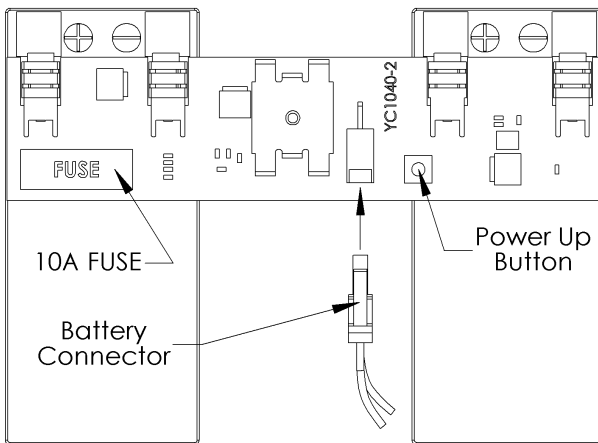
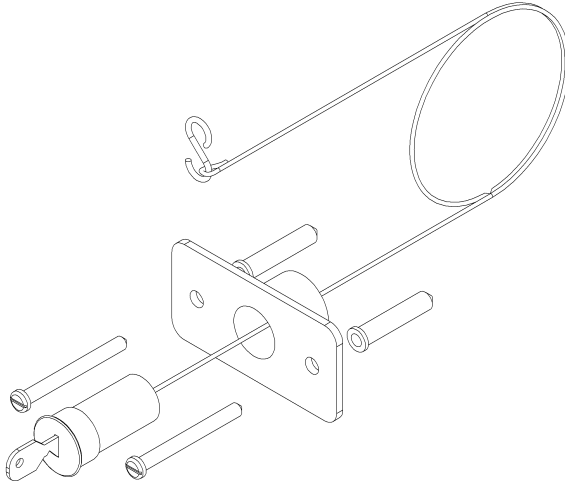


Fig.6

Emergency Key Release



The emergency key release is required where a garage has no service door. The key release allows the door to be manually released from the outside in the case of a power failure or low battery condition.

Safety Beams

Safety beams are comprised of two units, which may be mounted on either side of the doorway. The opposing faces to which the units are to be mounted should be reasonably parallel. **Important!** Choose a suitable mounting height, low enough to protect toddlers and pets, but not lower than the underside of a typical motor vehicle. The wire to the Safety beams may be placed in the groove on top of the strut and wired through the spare grommet into the power head. To enable the safety beams after installation and wiring is complete, remove the jumper marked "BEAM" on the control board. Refer to Fig.5 on Page 16.

Note: If an attempt is made to close the door while the beam is obstructed, the operator will beep twice to indicate that the beam is obstructed and the door cannot close.

Important Notes to Installers and End Users

An accredited installer, in compliance with the manufacturer's specifications and the following SANS standards, must do all new or retrofit installations:

- o SANS 10142-1: The Wiring of premises Part 1: Low Voltage Installations. (2003)
- o SANS 60335-1: Household and similar electrical appliances-Safety Part 1: General Requirements. (2005)
- o SANS 60332-2-95: Household and similar electrical appliances- Safety Part 2-95: Particular requirements for drives for vertically moving garage door for residential use. (2003)
- o SANS 60335- 2 -103: Household and similar electrical appliances- Safety Part 2-103: Particular requirements for drives for gates, doors and windows. (2003)

Important!

Your Garage door is the largest moving object in your home!
 Ensure that once a year it is properly serviced and maintained by a professional accredited garage door installer!
 Do not attempt to adjust the springs, cables or bottom brackets on your door as these are under high tension!
 A properly maintained door will ensure reliable use of your door operator.
 For added safety it is recommended that infra red safety beams be fitted to all automated garage doors, especially if there are children in the home.

Serial Number:.....Installation Date:.....
 Installed By:.....
 Installers Accreditation Number:.....

Door Service Record

Date:..... By:.....
 Accreditation Number.....
 Date:..... By:.....
 Accreditation Number.....
 Date:..... By:.....
 Accreditation Number.....

Hydro Doors & Gates (Pty) Ltd

Head Office:

1334 Staal Road, Stormill Ext 2 Florida RSA PO Box 635 Florida 1710
 Dialling Code: +2711, Tel: 474 9060, Fax: 474 9067 Website: www.hydrodoors.co.za

Sales Branches:

Randburg : Dialling Code: +2711, Tel: 792 7117, Fax: 792 7117, Email: sales@digidoor.co.za
East Rand : Dialling Code: +2711, Tel: 397 8448, Fax: 397 8448, Email: eastrand@digidoor.co.za
Pretoria : Dialling Code: +2712, Tel : 653 6399, Fax : 653 6464, Email: pta@digidoor.co.za
Nelspruit: Dialling Code: +2713, Tel: 753 2176, Fax: 753 2176, Email: nelspruit@digidoor.co.za
Cape Town : Dialling Code: +2721, Tel: 933 5556, Fax: 933 5558, Email: ctn@digidoor.co.za
Durban: Dialling Code: +2731, Tel: 700 2110, Fax: 700 2111, Email: dbn@digidoor.co.za
Port Elizabeth: Dialling Code: +2741, Tel: 360 3551, Fax: 360 3550, Email: pe@digidoor.co.za