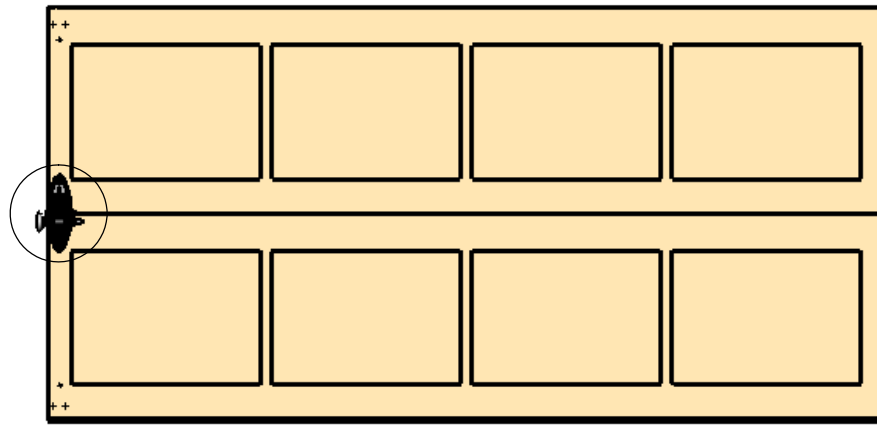


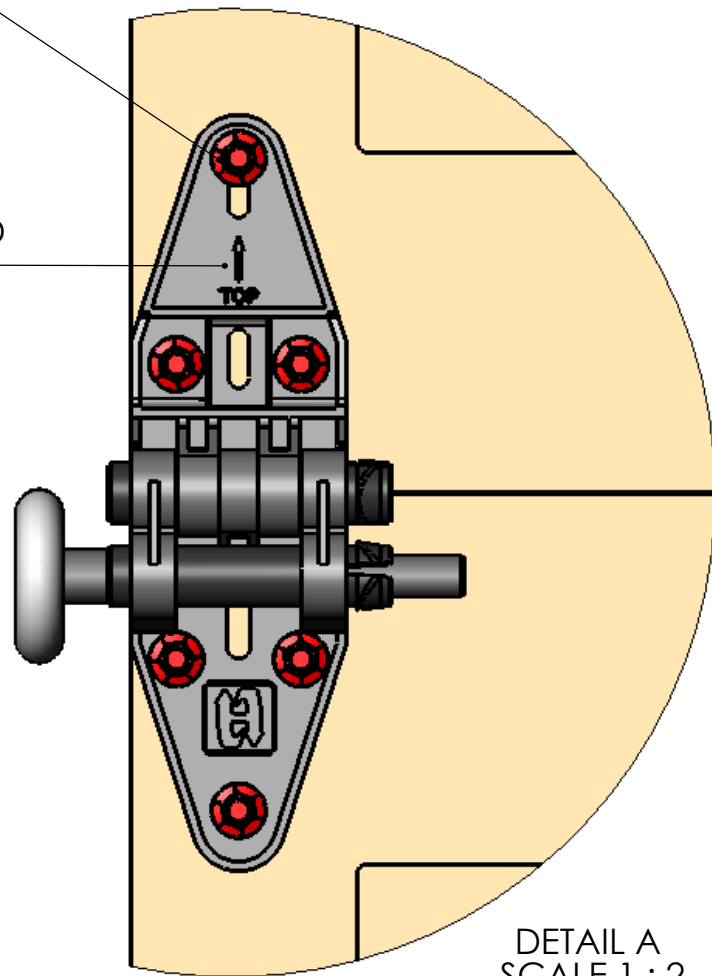
A



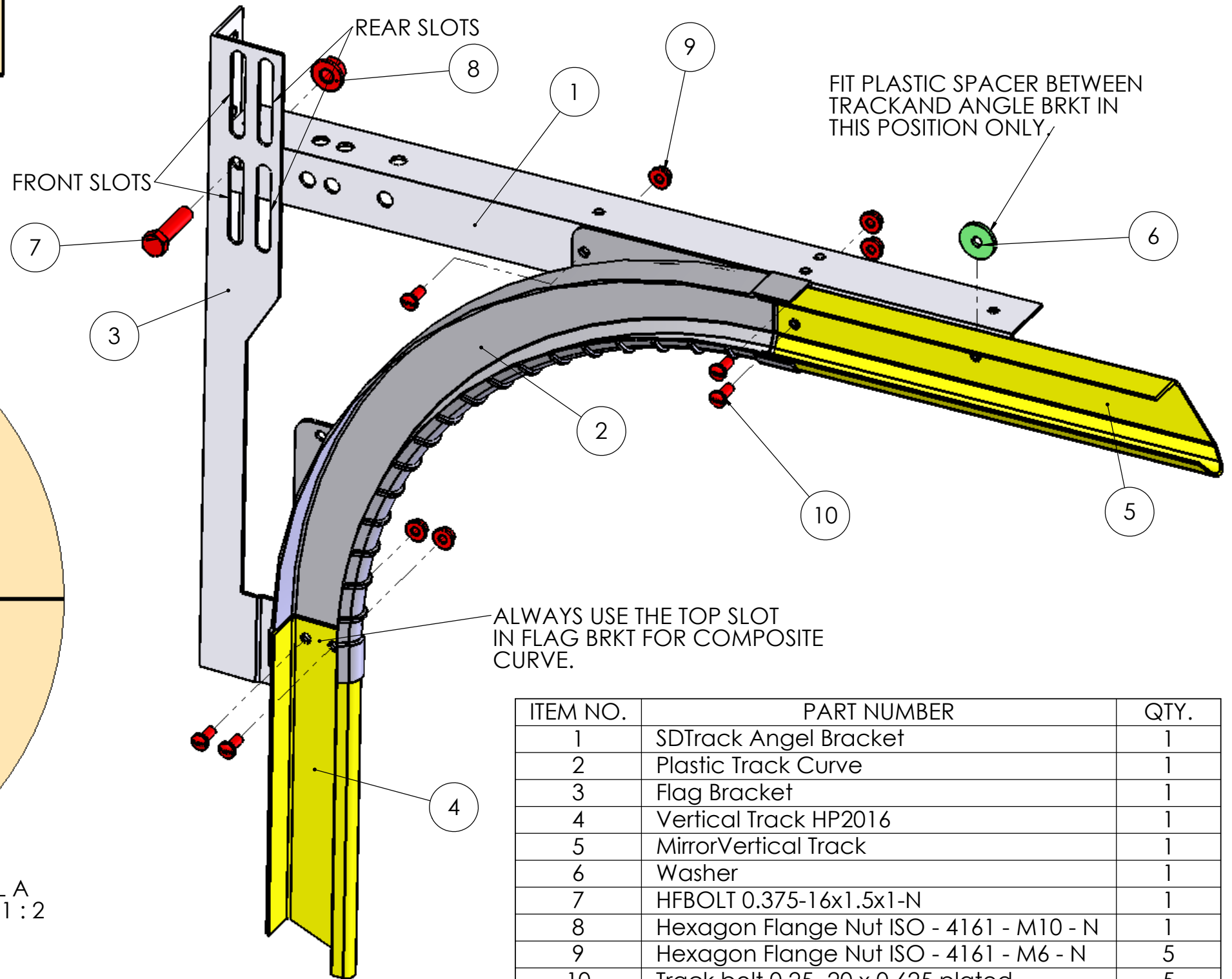
IMPORTANT  
USE THE FRONT SLOTS FOR DOORS THAT ARE  
LESS THAN 40mm THICK.  
USE THE REAR SLOTS FOR DOORS THAT ARE  
MORE THAN 40mm THICK.

IMPORTANT:  
USE SIX FLANGE HEAD  
SCREWS PER HINGE.  
(DIN 7504K UNI 8117)

HINGE MUST BE FITTED  
THIS WAY UP



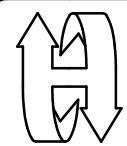
DETAIL A  
SCALE 1 : 2



FIT PLASTIC SPACER BETWEEN  
TRACK AND ANGLE BRKT IN  
THIS POSITION ONLY

ALWAYS USE THE TOP SLOT  
IN FLAG BRKT FOR COMPOSITE  
CURVE.

ITEM NO.	PART NUMBER	QTY.
1	SDTrack Angel Bracket	1
2	Plastic Track Curve	1
3	Flag Bracket	1
4	Vertical Track HP2016	1
5	MirrorVertical Track	1
6	Washer	1
7	HFBOLT 0.375-16x1.5x1-N	1
8	Hexagon Flange Nut ISO - 4161 - M10 - N	1
9	Hexagon Flange Nut ISO - 4161 - M6 - N	5
10	Track bolt 0.25 -20 x 0.625 plated	5



**HYDRO DOORS**

TITLE	<i>Composite Curve Assembly</i>			No.	
DATE	03/03/2003	SCALE	DNS	DRAWN	JHL